

KIPC555(-S)



Display size
55"

Max load
75lb (34kg)

Portrait Kiosk

Fits most 55" displays less than 3.00" (72mm) deep

Make a statement with Peerless-AV's versatile digital signage kiosk which offers unprecedented elegance in the large format kiosk sector. Designed to support ultra-thin or thicker commercial displays, this sleek kiosk provides ample space to integrate a media player, interactive touch system, camera, etc., to create a complete interactive customer experience. Paired with a wide range of aesthetic options, this kiosk makes it easy to execute any advertising or brand strategy.

This multi-media kiosk incorporates a robust feature set, while maintaining its slim, modern look.



Additional Features

- ✓ Architectural aluminum and steel kiosk with 3/8" steel oval base plate provides stability, strength and corrosion-resistance for any indoor environment
- ✓ High-performance, premium powdercoat finish protects the unit and extends the product lifespan for years
- ✓ Two 25CFM (25db) thermostat fans quietly exhaust heat
- ✓ Six outlet, UL- and cUL-approved surge suppressor with 6' cord to protect voltage-sensitive components from damaging power surges
- ✓ Internal micro-adjustments allow for quick positioning of display within the kiosk window for flush alignment
- ✓ Combination locks on back bi-level doors allow access only to parts requiring maintenance, with no threat of lost keys
- ✓ Stand-alone or fully integrated with display, audio components, media player and input components
- ✓ Supports a wide range of aesthetic options, including multiple colors and vinyl wraps, to match any branding strategy
- ✓ Pre-assembled to simplify installation of entire solution



Combination Lock/Handle



Slim Profile



Internal Component Tray & Shelf



RoHS
2002/95/EC

KIPC555(-S)	Portrait Kiosk fits 55" displays less than 3.00" (72mm) deep
-------------	--

Product Specifications

	DIMENSIONS (W x H x D)	PRODUCT WEIGHT	LOAD CAPACITY	FINISH	AVAILABLE COLORS
KIPC555(-S)	36.14 x 81.00 x 21.00" (917 x 2057 x 533mm)	157lb (71kg)	75lb (34kg)	Powder Coat	KIPC555: Gloss Black KIPC555-S: Silver

Package Specifications

	PACKAGE SIZE (W x H x D)	PACKAGE SHIP WEIGHT	PACKAGE UPC CODE	PACKAGE CONTENTS	UNITS IN PACKAGE
KIP555(-S)	38.00" x 88.00" x 27.00" (965 x 2235 x 685mm)	217lb (98kg)	KIPC555: 735029310259 KIPC555-S: 735029310266	Kiosk Enclosure, Display Mount and Hardware, and Installation Instructions	1

Available Custom Kiosk Accessories:

Agion antimicrobial protection:

Agion® antimicrobial* finish available to assist in controlling the spread of infections. Contact Peerless-AV Customer Care for more information.

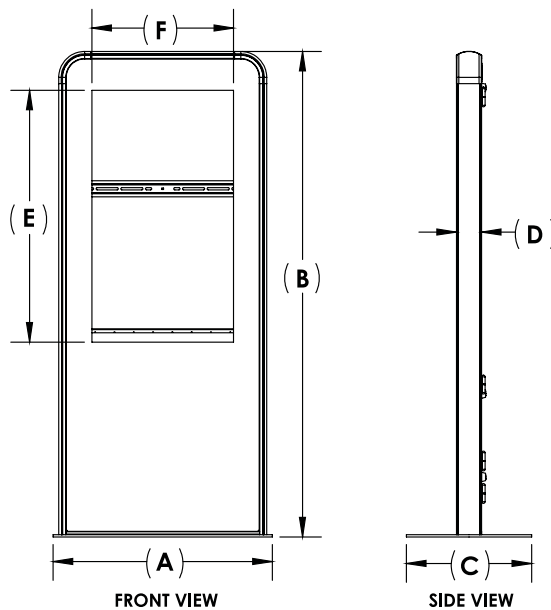
*Antimicrobial protection is limited to the treated article and does not protect a user against disease causing bacteria. Always clean products thoroughly after each use.

- HDMI and Component Video Cables
- Trip Lite UPS Battery Back Up System
- Stereo Speaker System with Amplifier
- Honeywell Bar Code Readers
- Magstripe Readers
- Omnikey Proximity Sensors
- Logitech Webcameras
- Receipt Printers
- Keypads/Pinpads and Keyboards

- Telephone Handsets
- Wireless Kits
- Media Players
- Brochure Holders
- Cling Graphics
- Adhesive Logos and Graphics

Contact Peerless-AV Customer Solutions Unit for more information at info@peerless-av.com or 800.865.2112

All dimensions = inch (mm)



MODEL NO.	DIMENSION "A"	DIMENSION "B"	DIMENSION "C"	DIMENSION "D"	DIMENSION "E"	DIMENSION "F"
KIPC555	39.00" (991mm)	81.00" (2057mm)	21.00" (533mm)	4.00" (102mm)	48.05" (1220mm)	27.03" (687mm)

Architect Specifications

The Portrait Kiosk shall be a Peerless-AV model KIPC555(-S) and shall be located where indicated on the plans. Assembly and installation shall be done according to instructions provided by the manufacturer.

Visit peerless-av.com to see the complete line of AV solutions from Peerless-AV, including outdoor displays, wireless, kiosks, digital audio, display mounts, projector mounts, carts/stands, and a full assortment of accessories.

Peerless-AV
2300 White Oak Circle
Aurora, IL 60502 USA

(800) 865-2112
(630) 375-5100
Fax: (800) 359-6500

Peerless-AV Europe
Unit 3 Watford Interchange
Colonial Way, Watford
Herts, WD24 4WP
United Kingdom
+44 (0) 1923 200100
Fax: +44 (0) 1923 200101

Peerless-AV de México
Ave de las Industrias 413
Parque Industrial Escobedo
Escobedo, N.L.,
Mexico 66050
+52 (81) 8384-8300
Fax: +52 (81) 8384-8360

